

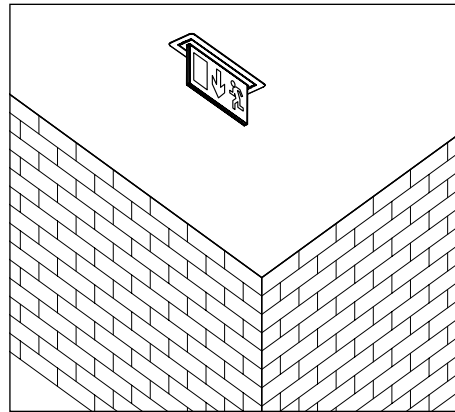
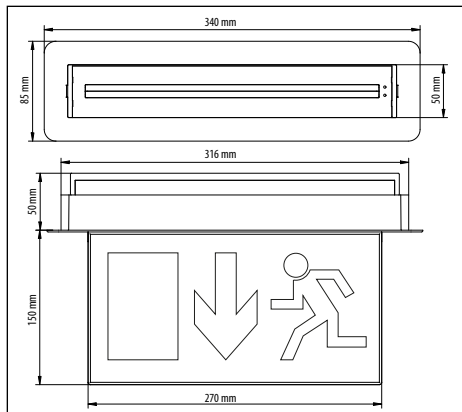




CL-414C

NEW PRODUCT

Our double sided LED exit sign is the updated version of the CL-515 light, and already very popular among our customers. It was designed mainly for buildings with high aesthetic requirements (hotels, business centers), furthermore, its practical construction makes it easy to mount to suspended ceilings. It has no disturbing visual appearance, only a thin line can be seen from the light body.



	CL-414/slave/con/MB	CL-414/slave/MB	CL-414/slave/CB	CL-414/slave/con/CB
Luminaire	Conventional	Addressable	Addressable	Conventional
Mounting method	Concealable	Concealable	Concealable	Concealable
Lighting source	LED / 50 000 h	LED / 50 000 h	LED / 50 000 h	LED / 50 000 h
Lighting power	1W	1W	1W	1W
Mains supply	120-240 VAC 50-60 Hz	120-240 VAC 50-60 Hz	120-240 VAC 50-60 Hz	120-240 VAC 50-60 Hz
Battery	Ni-Mh	Ni-Mh	Central battery	Central battery
Input current	25 mA	30 mA	30 mA	25 mA
Operation	Standby/Permanent	Standby/Permanent	Standby/Permanent	Standby/Permanent
Standby duration	1-3h	1-3h	-	-
Protection category	IP42	IP42	IP42	IP42
Certificates	CE	CE	CE	CE
Operation temperature	0°C - 40°C	0°C - 40°C	0°C - 40°C	0°C - 40°C
Control LED	YES	YES	YES	YES
Control button	YES	NO	NO	NO
Weight (kg)	1.2	1.2	1.0	1.0
Body	Polycarbonate/White	Polycarbonate/White	Polycarbonate/White	Polycarbonate/White
Method of checking	Auto Test	Automatic	Automatic	-

